

Jet System

Name _____

Number of Jets

Side Back Foot Spa

+ + +

i.e. 6 +2+2 +12

Smooth Spa **S**

Colour

Controls _____

Jets _____

Options

Aqualight LED

Colour

White* _ Blue*

Chromotherapy*

Other Options _____

Bath

Make _____

Name _____

Colour _____

Bluestone* _____ Standard*

Hand LH* RH*

Panel

(Wood*, Plastic*, Tiled*)

Shower Screen*

Overflow filler*

***Circle** as required i.e. **(RH*)**


Showroom Name

Contact _____

Date _____

Tel _____

Ref _____

 Wall

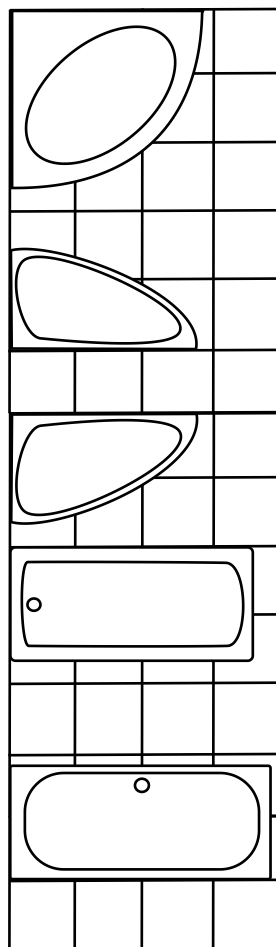
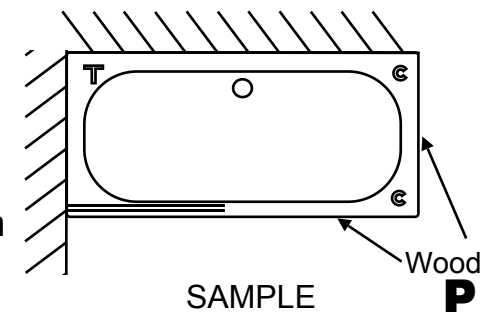
T Taps

 Waste

 Shower Screen

P Panel

C Controls



Bronte Whirlpool Bath Planning Sheet

